

**DOOR HARDWARE**

**SET #2**

QTY	PART #	PART DETAIL
1	ARMS1850	ADAMS RITE DOOR LOCK MS1850S DEADBOLT
1	BBW443	BBW SIGN "THIS DOOR TO REMAIN UNLOCKED"
1	DORMA8916	DOOR CLOSER 8916 AF89P AL DORMA
2	FALA100C	FALCON 7 PIN CORE COMBINATED "A" KEYWAY 626 FINISH 1-1
1	FALA100CCK	FALCON CUT CONTROL KEY "A" KEYWAY
9	FALA100CUK	FALCON CUT USER KEY "A" KEYWAY
2	LN2049	MORTISE CYL SHELL 7 PIN W/AR CAM S.CHROME (26D) FINISH
2	LN2053	ADJUSTABLE RING, MORTISE CYL 5/16-13/32 S.CHROME 26D FINISH
1	ROC108	ROCKWOOD DOOR PULL HANDLE 108XUS32D
1	ROC473	ROCKWOOD DOOR STOP W/HOOK (473)

**DOOR HARDWARE**

**SET #3**

QTY	PART #	PART DETAIL
1	ARMS1850	ADAMS RITE DOOR LOCK MS1850S DEADBOLT
1	BBW443	BBW SIGN "THIS DOOR TO REMAIN UNLOCKED"
2	BORMA8916	DOOR CLOSER 8916 AF89P AL DORMA
2	FALA100C	FALCON 7 PIN CORE COMBINATED "A" KEYWAY 626 FINISH 1-1
1	FALA100CCK	FALCON CUT CONTROL KEY "A" KEYWAY
9	FALA100CUK	FALCON CUT USER KEY "A" KEYWAY
2	LN2049	MORTISE CYL SHELL 7 PIN W/AR CAM S.CHROME (26D) FINISH
2	LN2053	ADJUSTABLE RING, MORTISE CYL 5/16-13/32 S.CHROME 26D FINISH
1	NGP13720	NGP WEATHER STRIP 20' 72" x 84"
2	PEM 18062	PEMCO DOOR SWEEP 36"
2	ROC108	ROCKWOOD DOOR PULL HANDLE 108XUS32D
2	ROC473	ROCKWOOD DOOR STOP W/HOOK (473)
2	ROC555	ROCKWOOD 12" FLUSH BOLTS

**DOOR HARDWARE**

**SET #12**

QTY	PART #	PART DETAIL
1	DORMA8916	DOOR CLOSER 8916 AF89P AL DORMA
1	FALA100C	FALCON 7 PIN CORE COMBINATED "A" KEYWAY 626 FINISH-1
1	I/O 2000L-03IC	SUR-LOCK AUTO LOCKING DOOR ALARM, IC; NO CTR INCLUDES MORTISE CYLINDER
1	LN2068	DOOR SPY, DESCO, SILVER, DS-6
1	NGP13717	NGP WEATHER STRIP 17' 36" x 84"
1	NUMCN304	NUTONE DOOR BELL
1	PEM 18062	PEMCO DOOR SWEEP 36"
1	ROCJ102	ROCKWOOD KICKPLATE 10" x 34"
3	STAFBB191NRP	STANLEY DOOR HINGE 4.5" x 4.5" N.R.P. 32D

**DESIGN FIRM:** Ndengu Design, LLC.  
1 Avenue C - Suite 100  
Hudson City, Bayonne County,  
New Jersey 07002-3620  
T: (908) 000-0000  
F: (908) 000-0000  
E: info@ndengudesign.com  
W: ndengudesign.com

**CLIENT:** Buyachi Ndengu Properties, LLC.  
1 Avenue C - Suite 600  
Hudson City, Bayonne County,  
New Jersey 07002-3620  
Tel: (973) 668-6440  
Fax: (908) 000-0000  
E: info@ndengu.com  
W: ndengudesign.com

**PROJECT:** Crossing Coffee  
&  
Tea House  
1010 9th Street  
Hudson Crossing  
Hudson City, Bayonne County,  
New Jersey 07002-3620

**CONSULTANT:**

**CONSULTANT:**

1

**DOOR HARDWARE**

A-200.06

SCALE: N.T.S

2

**DOOR HARDWARE**

A-200.05

SCALE: N.T.S

3

**DOOR HARDWARE**

A-200.05

SCALE: N.T.S

Notice:  
Do not scale drawings.  
Contractor is responsible for  
verifying dimensions and  
details in the field. Report any  
discrepancies.

**DOOR SCHEDULE**

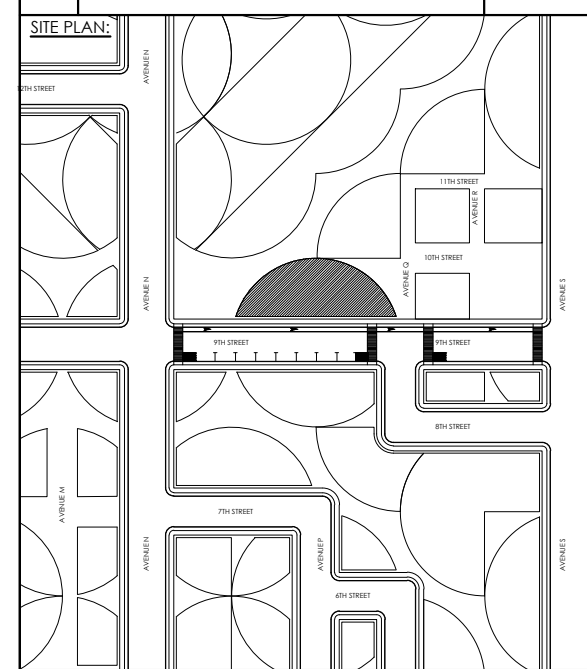
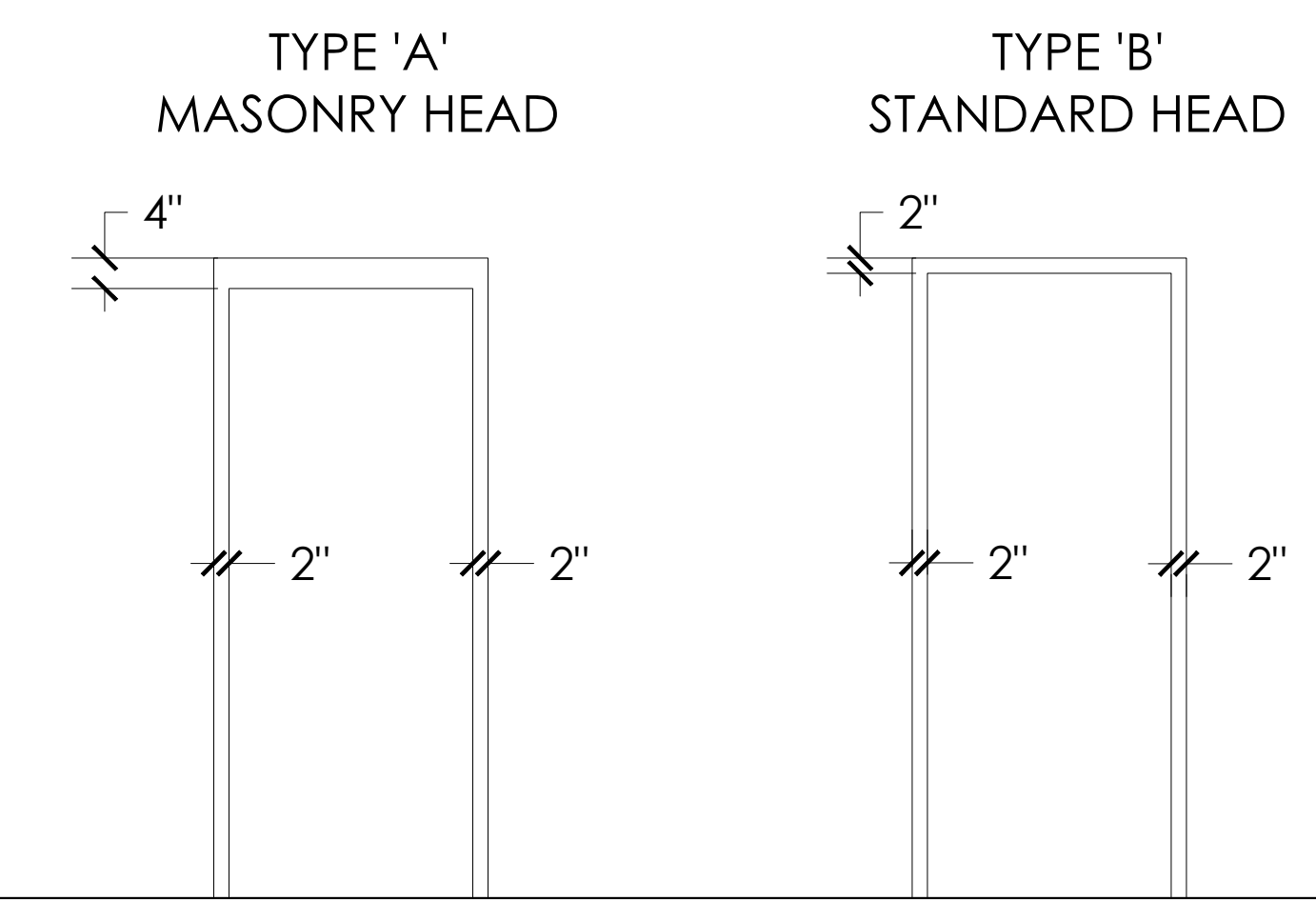
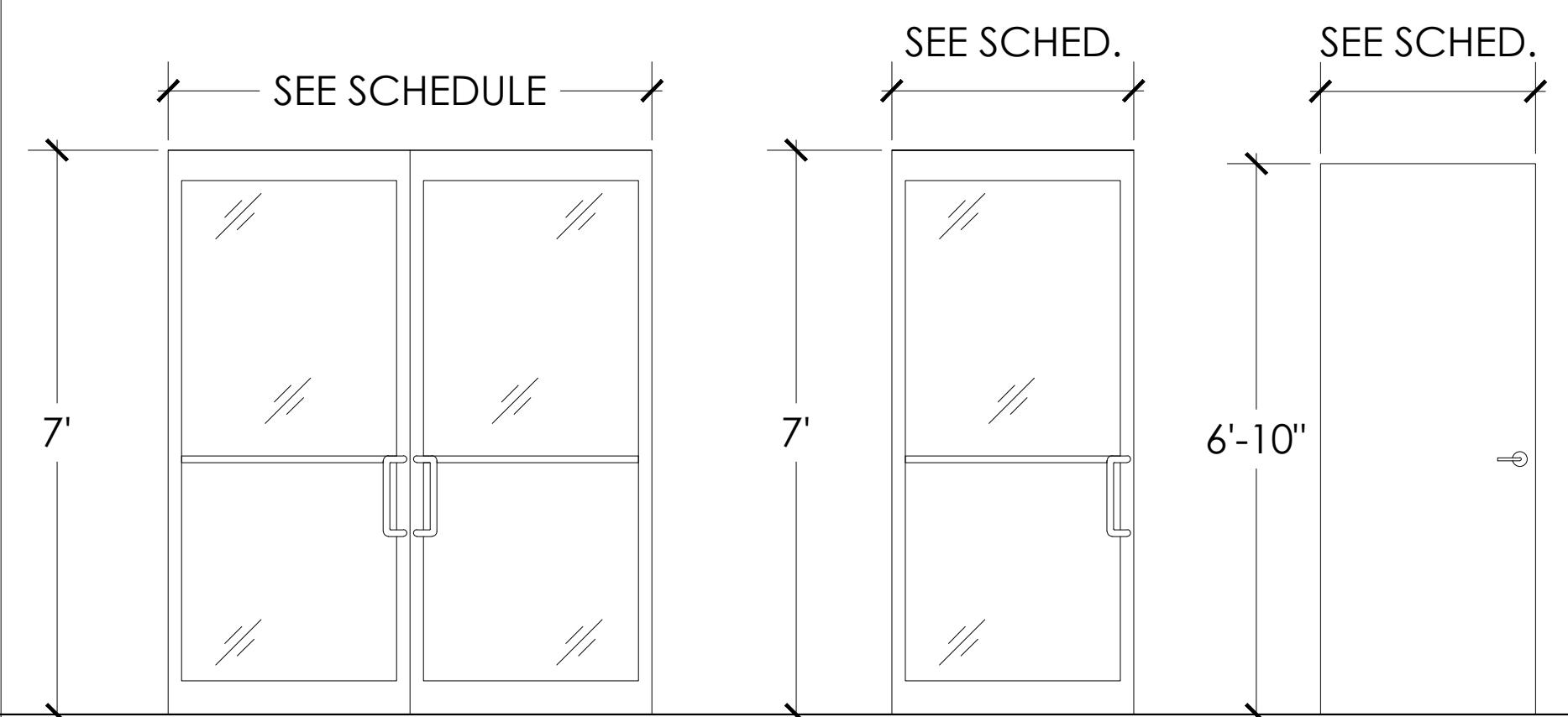
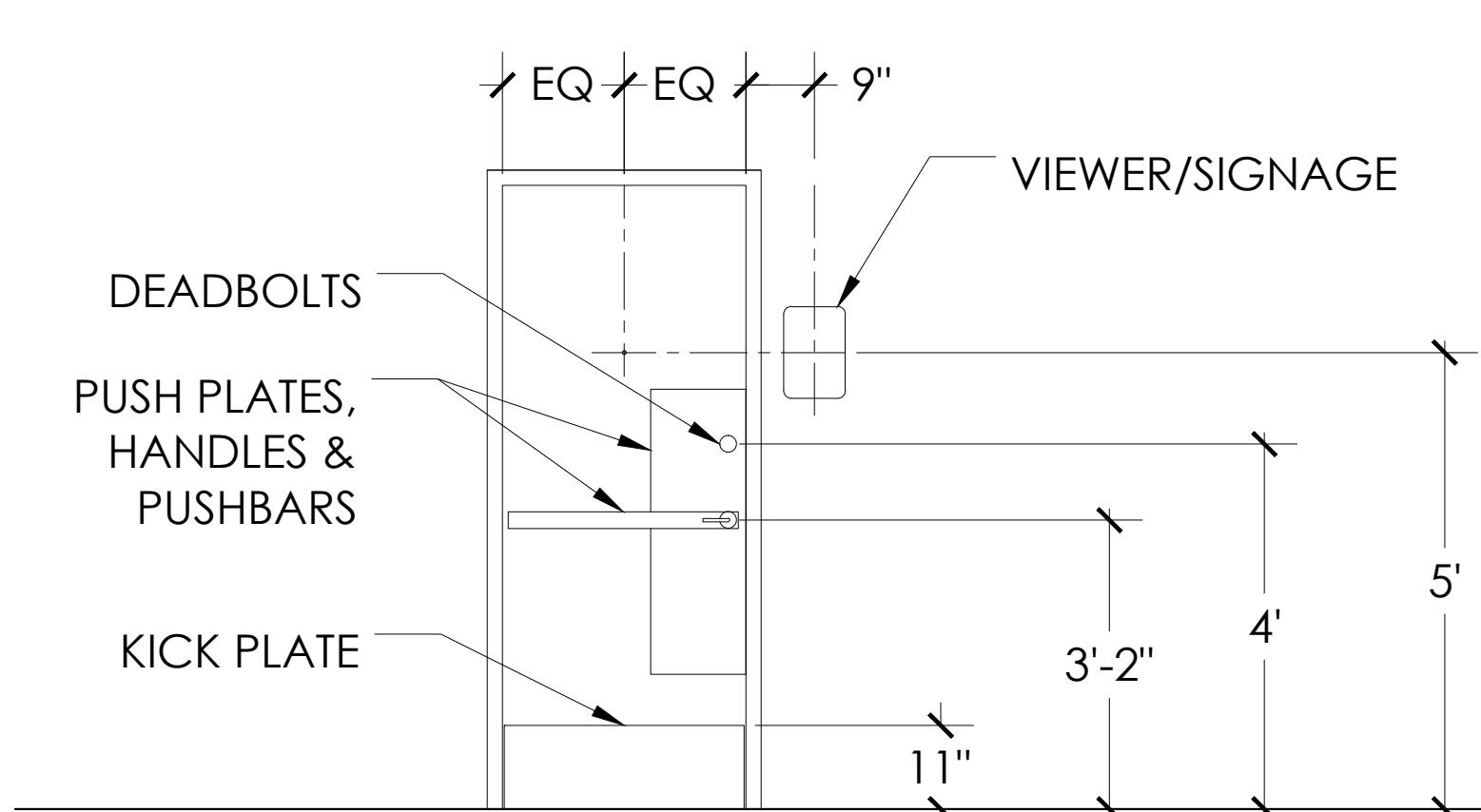
DOOR NO.	TYPE	DOOR MATERIAL	FINISH	GLAZING THICKNESS	MANUFACTURER	WIDTH	HEIGHT	THICKNESS	FRAME TYPE	FRAME MATERIAL	FIRE RATING	HARDWARE	COMMENTS
001	A	AL/GL	AL-1	1"	KAWNEER	6'-0"	7'-0"	0'-1 3/4"	STOREFRONT	AL	N/A	#3	360 INSULCLAD, MEDIUM STILE, INSULATED SWING DOOR (PAIR)
002	B	AL/GL	AL-1	1"	KAWNEER	3'-0"	7'-0"	0'-1 3/4"	STOREFRONT	AL	N/A	#2	360 INSULCLAD, MEDIUM STILE, INSULATED SWING DOOR
003	C	HM	PT-1	N/A	ANDERSON	3'-0"	7'-0"	0'-1 3/4"	B	HM	N/A	#12	

4

**DOOR SCHEDULE**

A-200.06

SCALE: N.T.S



Seal:

Scale: Drawn By: BN

Date: 00/00/00 Checked By:

**DOOR SCHEDULE & DETAILS**

Project No.  
**12002.00**  
DWG File Name  
A200.05.dwg

**A200.06**

Sheet - of Sheets

Copyright © 2000 by Ndengu Design All Rights Reserved

5

**DOOR MOUNTING HEIGHTS**

A-200.06

SCALE: 1/2" = 1'-0"

6

**DOOR TYPES**

A-200.06

SCALE: 1/2" = 1'-0"

7

**DOOR FRAME TYPES**

A-200.05

SCALE: 1/2" = 1'-0"